



EFFERTZ®

Products:

We offer you a maximum of quality, most advanced technology and a diversity of products that can hardly be found elsewhere. Our doors stand out for troublefree operation for many decades.

Account and customer service:

Finding the optimum solution for your individual problems is our aim. We are prepared to assist you already in the planning phase.

Effertz Tore GmbH

Am Gerstacker 190
D-41238 Mönchengladbach

POB 201053
D-41210 Mönchengladbach

Phone +49/(0) 2166/261-0
Fax +49/(0) 2166/249153

info@effertz.de

www.effertz.de



Fire Resistant Rolling Door T90 in stainless steel

Short delivery terms:

Thanks to our very flexible organisation, we can grant unbeatably short delivery terms. Agreed terms are equivalent to promises and promises are kept!

For your safety:

For more than 120 years, we have been developing and constructing doors, as well for special applications. Even after decades, we will deliver the spare parts.

Effertz Sales Partner



Fire Resistant Rolling
Doors T90 and T120
according to DIN 4102



Effertz fire resistant rolling doors have been proving their worth for many decades in various applications. As we do with all Effertz fire resistant roller doors, these types have been tested by a standardized burning test as well as in a function test (10,000 opening and closing times).

The following dimensions have been approved by the German certification body:

T90: from the clear spaces (width x height) of:

2,000 mm x 1,800 mm

12,000 mm x 4,500 mm

T120: from the clear spaces of:

2,000 mm x 1,800 mm

10,000 mm x 4,500 mm

Other sizes are possible with individual approval by the building authorities.

Take care of installation of the anchored welding plates for installation of the doors in accordance with our instructions.

All steel parts can also be secured with through-bolts. Under special conditions a fastening by dowels (against surcharge) is also possible.

The mounting surfaces for the rolling door parts must then be plane.

Minimum strength of the walls in which the doors are to be installed according to DIN 1045: strength class B15, wall thickness concrete 140 mm, masonry to DIN 1053-1, bricks of strength class 12 MN/m², mortar group III, wall thickness concrete 240 mm.

Tolerance for all installation dimensions + 10 mm.

The testing and responsibility for the statics of the parts to which the mounting of the doors is to be made lies with the customer.

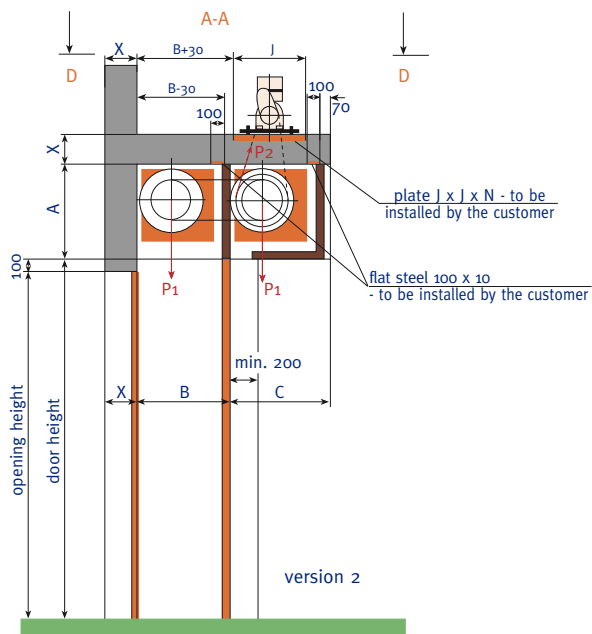
Note for our customers:

An escape door with the corresponding fire class must be provided in the vicinity of the fire resistant rolling door and marked accordingly.



plate J x J x N - to be installed by the customer

100
by the customer

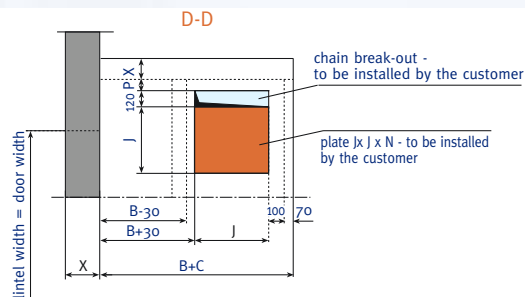


T90 up to a door width of 12,000 mm
T120 up to a door width of 10,000 mm

all dimensions in mm

measurement X:

- ◇ with concrete according to DIN 1045
min. strength class B15,
wall thickness ≥ 140 mm
- ◇ with masonry to DIN 1053-1
bricks of strength class 12 MN/m²,
mortar group III,
wall thickness ≥ 240 mm.

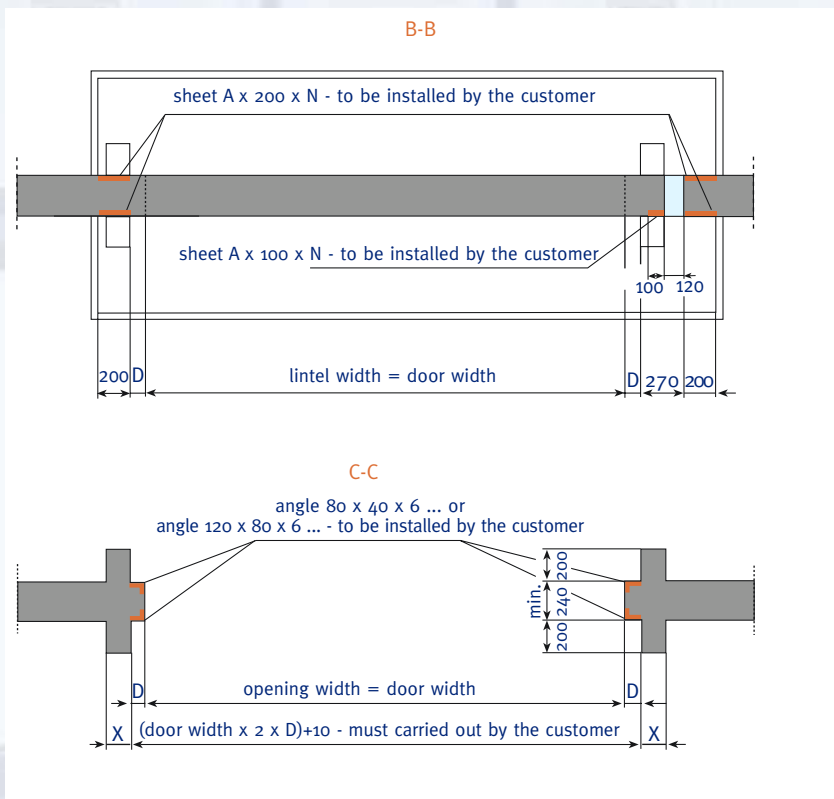
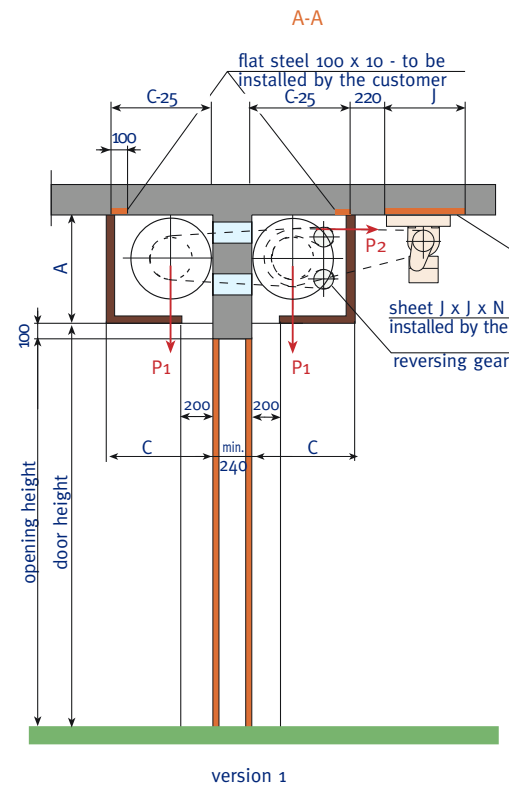
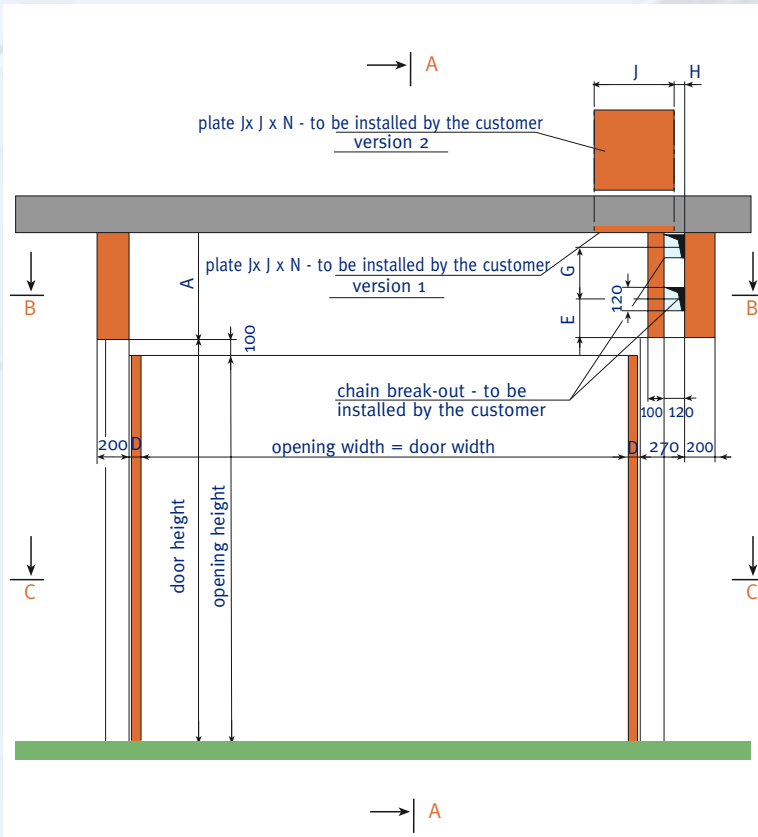


	A	B	C	H	J	N	P
size 1	680	630	700	120	500	10	120
size 2	780	700	820	175	600	20	145

size 1								size 2								
000	4500	5000	5500	6000	6500	7000	7500	8000	8500	9000	9500	10000	10500	11000	12000	
1200	P1: 4 kN P2: 12,5 kN		P1: 5 kN P2: 15 kN		P1: 6,5 kN P2: 18,5 kN			P1: 8 kN P2: 21 kN		P1: 9,5 kN P2: 26 kN						
1500	P1: 5,5 kN P2: 17,5 kN		P1: 6,5 kN P2: 20 kN		P1: 7,5 kN P2: 25 kN			P1: 9,5 kN P2: 26 kN		P1: 12 kN P2: 34 kN						
95									135							

measurements upon request

Roller-door arrangement on both sides of a wall, and with reversing gear



door width ▶ door height ▼	2000	2500	3000	3500	4000
1800					
2000		P1: 3 kN P2: 7,5 kN		P1: 3,5 kN P2: 10 kN	
2500					
3000					
3500		P1: 3,5 kN P2: 11 kN			
4000					P1: 4,5 kN P2: 14 kN
4500					
measurement D					

Effertz Release System

The central control unit of any Effertz fire resistant rolling door is the Effertz release system. Sophisticated electronics ensure that the fire resistant rolling doors close reliably in the event of an alarm or fault. If a smoke detector trips or the emergency hand switch is actuated, the power supply to the retaining electromagnet is interrupted at the drive and the drive brake is released. The shutters close, regulated by a centrifugal brake in the drive, under its own weight, irrespective of any power supply. The safety contact strip allows the closing door to be stopped if a body or obstacle blocks the opening. When tripped, this safety device is controlled by the low-voltage brake on the drive and held in readiness (24V DC battery power supply). The drive of the fire resistant rolling door has an electric alarm which sounds if the release system is tripped. Every fire resistant rolling door with general approval of the German certification body has a matching release system which is also approved in its own right. Effertz fire resistant rolling doors hold both approvals and thus satisfy all the safety requirements.

Terms of Delivery / Terms of Installation

All our prices are quoted - unless otherwise expressly stated - ex works (EXW), Mönchengladbach, Germany.

Packaging

The goods are packed by us for transport by truck. On request we can also quote prices for packaging in seaworthy crates or special packagings.

Freight

The customer always states the freight carrier and also places the order directly with the freight carrier. On request, however, we can also provide a freight carrier. In such cases, we will quote for the freight rates separately.

Installation

Unless otherwise expressly stated, our prices do not include site installation. If you wish for a supervisor to oversee the installation or a complete installation by specialist fitters, please request a separate quotation.



Important Notes

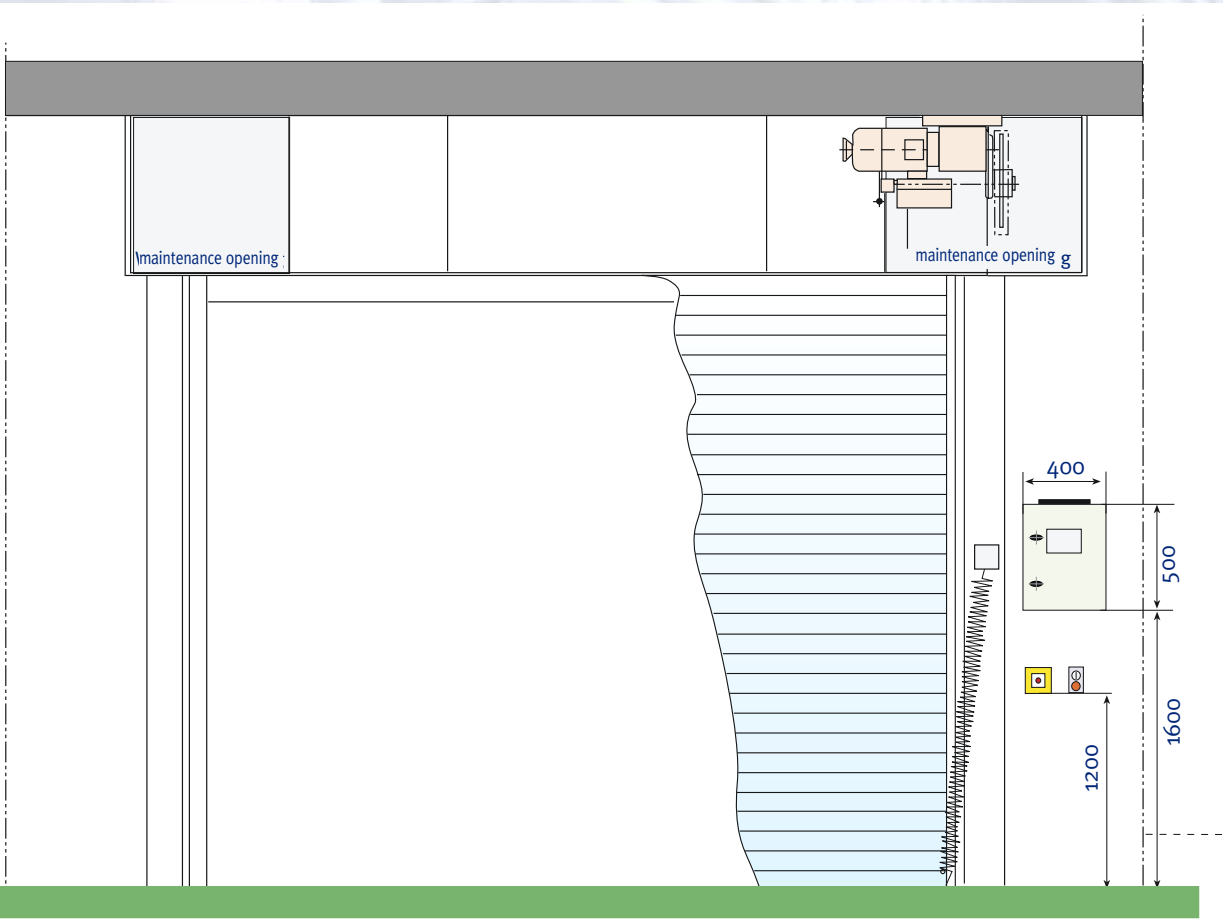
Fire resistant rolling doors are designed for a service life of around 30 years, whereby it is assumed that not more than approx. 10,000 opening and closing cycles take place during this period. Fire resistant rolling doors are not designed as service doors which are opened and closed several times a day. This is not expedient either because fire resistant rolling doors open and close very slowly, and repairs are several times more expensive than on standard rolling doors. In such cases, Effertz recommends the combination of a fire resistant rolling door which remains open constantly with a standard rolling door which is opened and closed as and when necessary.

If several fire resistant rolling doors are installed in one firewall, the customer has to decide either the doors should close together (normal situation) and whether this common closing should be triggered by a fire alarm system or by a controller to be supplied by Effertz.

Where suspended ceilings are installed, flaps or removable ceiling elements of an adequate size must be provided for inspection, service and repair work.

Effertz fire resistant rolling doors T90 and T120 offers outstanding benefits:

- 1.) The doors have the general approval of the certification body in Germany for sizes up to a width of 10,000 mm (T90) i.e. 10,000 mm (T120) and up to heights of 4,500 mm (both types).
- 2.) The function test (opening and closing 10,000 times) ensures that all the quality demands are satisfied.
- 3.) Effertz fire-protection roller doors comply with all German and European safety rules.
- 4.) Our lead lies in more than 120 years' experience. Our know-how is always your guarantee for innovative and unique solutions.

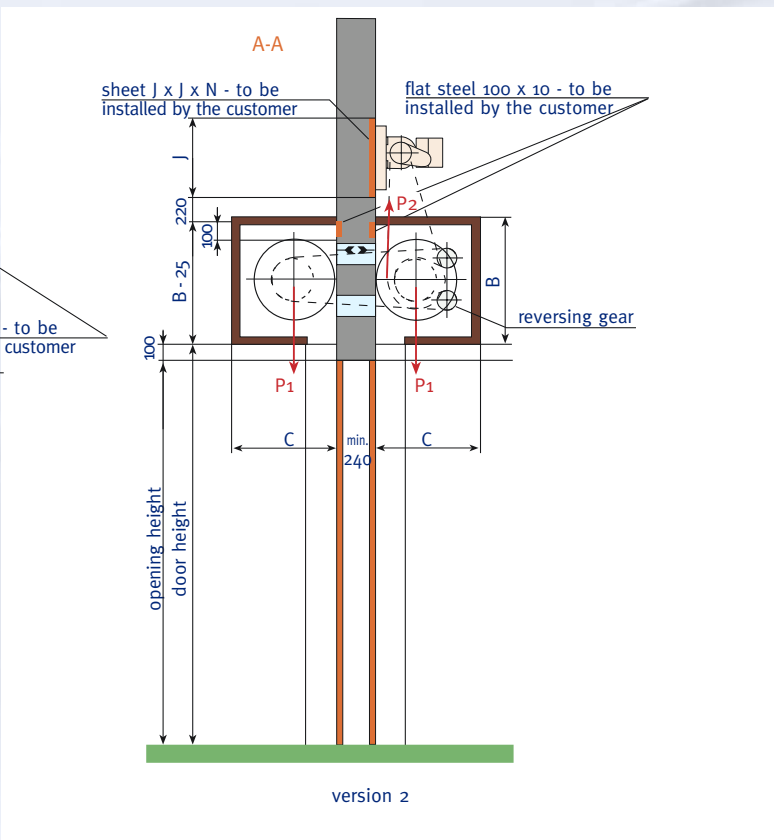




The number of smoke detectors used is determined by the width of the door i.e. for door widths up to 4,000 mm 1 piece / per door side, at widths up to 8,000 mm 2 pieces per door side / and up to 12,000 mm 3 pieces / per door side. If necessary, the additional use of temperature-sensing detectors is possible. In case that the lintel space above the door is more

than 1,000 mm you have to install at both sides of the lintel (beside the bottom edge of the lintel) one or more additional smoke detectors (against a surcharge). The amount of additional smoke detectors is determined by the width of the door. Up to a width of 4,000 mm you will need one, up to 8,000 mm two and up to 12,000 mm three smoke detectors.





T90 up to a door width of 12,000 mm
 T120 up to a door width of 10,000 mm

all dimensions in mm

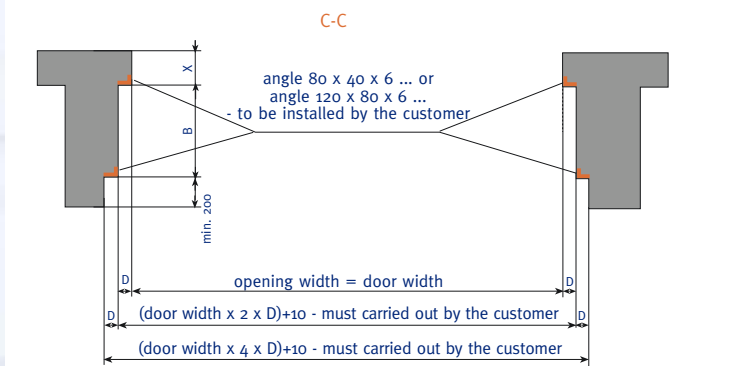
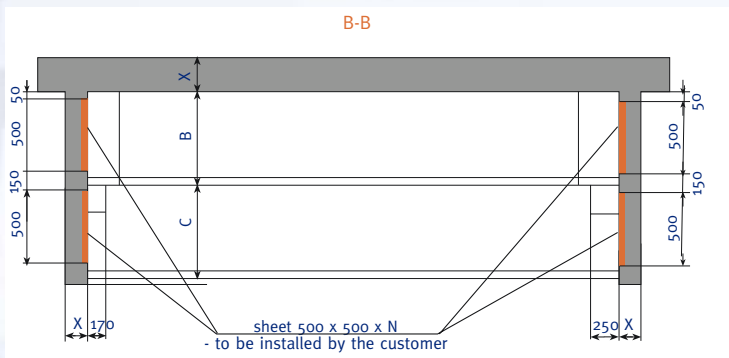
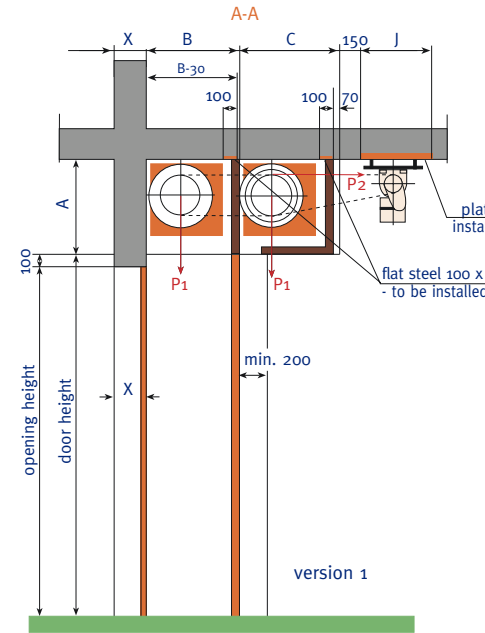
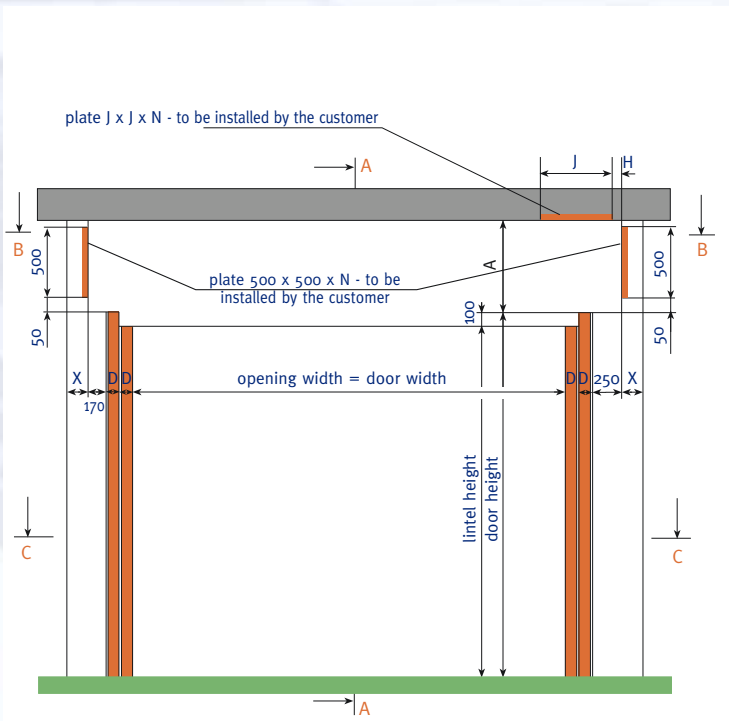
measurement X:

- ◇ with concrete according to DIN 1045
 min. strenght class B15,
 wall thickness ≥ 140 mm
- ◇ with masonry to DIN 1053-1
 bricks of strenght class 12 MN/m²,
 mortar group III,
 wall thickness ≥ 240 mm.

	A	B	C	E	G	H	J	N
size 1	680	780	650	230	320	150	500	10
size 2	680	780	700	180	415	180	500	10
size 3	780	880	900	230	450	180	600	20

size 1					size 2			size 3							
000	4500	5000	5500	6000	6500	7000	7500	8000	8500	9000	9500	10000	10500	11000	12000
1000	P1: 4 kN P2: 15 kN	P1: 5 kN P2: 15 kN			P1: 6,6 kN P2: 18,5 kN			P1: 8 kN P2: 21 kN		P1: 9,5 kN P2: 26 kN					
1500	P1: 5,5 kN P2: 17,5 kN	P1: 6,5 kN P2: 20 kN			P1: 9,5 kN P2: 26 kN			P1: 12 kN P2: 34 kN		measurements upon request					
95								135							

roller door arrangement on one side of a wall



door width ▶ door height ▼	2000	2500	3000	3500	4000
1800					
2000		P1: 3 kN P2: 7,5 kN		P1: 3,5 kN P2: 10 kN	
2500					
3000					
3500					
4000		P1: 3,5 kN P2: 11 kN		P1: 4,5 kN P2: 14 kN	
4500					
measure- ment D					



Description of Scope of Supplies and Services

- ◇ fire resistant rolling door T90 Effertz according to DIN 4102, (approval no.: Z-6.3-1434) i.e. fire resistant rolling door T120 Effertz according to DIN 4102, (approval no.: Z-6.3-246)
- ◇ with two insulated roller door shutters, wound onto one shaft each
- ◇ with two safety contact edges and spiral wound cable
- ◇ roller door cover made from PROMATECT fire-resistant plates
- ◇ steel and frame parts made from hot galvanized steel or with a single coat of primer
- ◇ special fire-protective spur-gear e-drive, (400 V 3-phases AC), including completely wired control unit and centrifugal brake in order to limit the closing speed in case of alarm up to approx. 15 cm/sec.
- ◇ electrical re-connection system for a comfortable reset after an emergency case (only upon special request)
- ◇ drive chain , with a 6ply safety, incl. plastic chain cover of the chain inlet and the chain delivery
- ◇ approved release system with 24 V DC power supply unit with back-up batteries.
- ◇ optical smoke detectors
- ◇ siren, that is automatically triggered,
- ◇ 1 emergency push button (behind glass, in a yellow casing),
- ◇ 1 key-contact switch (surface mounted) prepared for profile half-cylinder
- ◇ dead man's circuit (up/down)



industry version



key switch



safety strip